

M12 male / M12 female 0° shielded Cube67

PUR 0.5+0.25 shielded gn UL/CSA+drag ch. 2,5m

Cube67

Male straight – female straight

M12 – M12, 6-pole

shielded

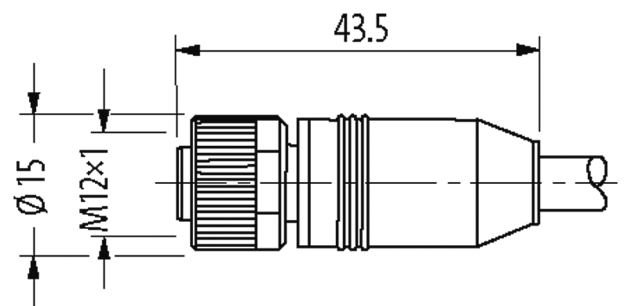
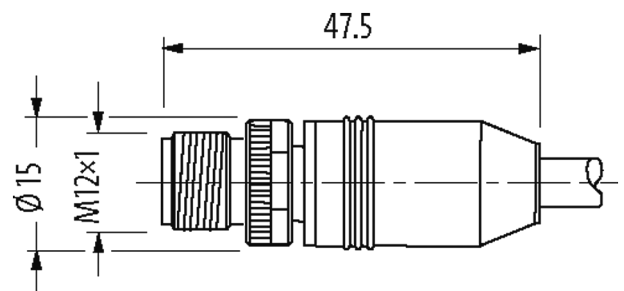
A-coded

Hybrid cable

Plastic housings with good resistance against chemicals and oils.

The resistance to aggressive media should be individually tested for your application. Further details on request.

Further cable lengths on request.

Illustration

Product may differ from Image

Approvals

* only for products with UL/CSA approved cable

cCSAus

More Info

Cube67

Form

Form

46041

General data

| | |
|----------------------------|--|
| Mounting method | inserted, tightened |
| Material (contact) | Copper alloy |
| Material (contact surface) | Au |
| Material (gasket) | FKM |
| Pollution Degree | 3 |
| Temperature range | -25...+85 °C, depending on cable quality |

Cables

| | |
|---------------------------------|--|
| No./diameter of wires | 4 × 0.5 + 2 × 0.25 mm ² |
| Wire isolation | TPE (bl, wh, br, bk), (gr, pk) |
| C-track properties | 5 Mio. |
| Jacket Color | green |
| Material (jacket) | PUR (UL/CSA) |
| Outer Ø | 7.9 mm ±5% |
| Bend radius (moving) | 10 × outer Ø |
| Temperature range (fixed) | -50...+80 °C |
| Temperature range (mobile) | -40...+80 °C |
| Cable identification | 802 |
| Cable weight [g/m] | 95,70 |
| Material (wire) | Cu wire, bare |
| Single wire Ø (core) | 0.15 mm (0.5 mm ²); 0.1 mm (0.25 mm ²) |
| Construction (core) | 28 × 0.15 mm (0.5 mm ²); 32 × 0.1 mm (0.25 mm ²); (multi-strand wire class 6) |
| Diameter (core) | 4 × 0.5 + 2 × 0.25 mm ² |
| AWG | similar to AWG 20 (0.5 mm ²); similar to AWG 24 (0.25 mm ²) |
| Material (wire isolation) | TPE-E |
| Shore hardness (wire isolation) | 55 ±5 D |
| Wire-Ø incl. isolation | 1.5 mm ±5% (0.5 mm ²); 1.4 mm ±5% (0.25 mm ²) |
| Color/numbering of wires | (bl, wh, br, bk) + (gr, pk) |
| Shield | yes |
| | min. 80% |
| Material (jacket) | PUR |
| Material property (jacket) | CFC-, halogen-, cadmium-, silicone-free, matt, low-adhesion, machine easy to process, abrasion-resistant |
| Shore hardness (jacket) | 89 ±5 A |
| Outer-Ø (jacket) | 7.9 mm ±5% |
| Color (jacket) | green |
| Nominal voltage | 300 V AC |
| Test voltage | 1500 V (wire/wire); 1200 V (wire/shield) |
| Temperature range (fixed) | -50...+80 °C |
| Temperature range (mobile) | -40...+80 °C |
| Bend radius (fixed) | 5 × outer Ø |
| Bend radius (moving) | 10 × outer Ø |
| No. of bending cycles (C-track) | max. 5 Mio. (25 °C) |
| Traversing distance (C-track) | max. 10 m |
| Travel speed (C-track) | max. 2 m/s |
| Torsion stress | ±180°/m |

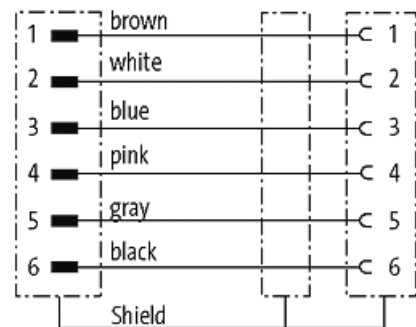
Technical Data

| | |
|------------------------------------|-----------------|
| Operating voltage | max. 30 V AC/DC |
| Operating voltage (only UL listed) | 30 V AC/DC |
| Rated surge voltage | 0.8 kV |
| Operating current per contact | max. 4 A |

| | |
|-------------------|--|
| No. of poles | 6 |
| Material group | IEC 60664-1, category I |
| Coding | A-coded |
| LED display | no |
| Locking of ports | Screw thread (M12×1 mm) recommended torque 0.6 Nm, self-securing |
| Compression gland | M12 (SW13) |
| Protection | IP65 and IP67 when plugged and screwed down (EN 60529) |
| Material | PUR |
| Locking material | Zinc die casting, matte nickel plated |

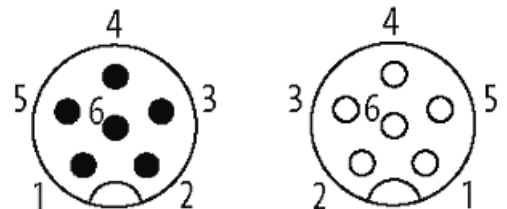
Commercial data

| | |
|-----------------------|---------------|
| country of origin | DE |
| customs tariff number | 85444290 |
| EAN | 4048879140461 |
| eClass | 27061801 |
| Packaging unit | 1 |

Sketch

Male

Female



Product may differ from Image